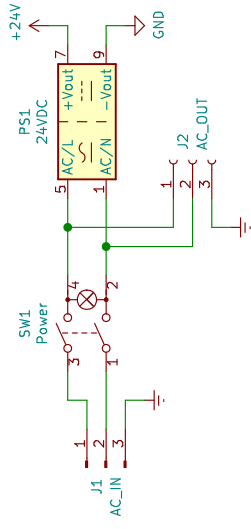
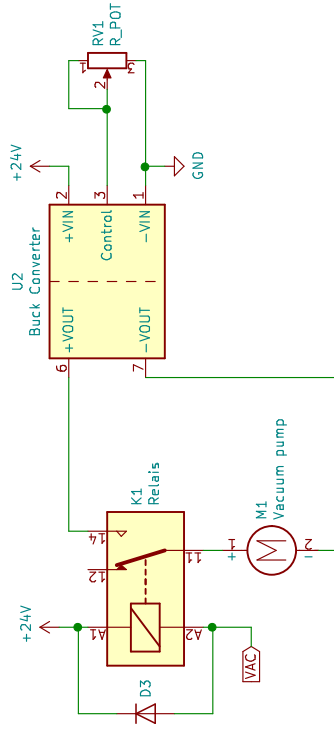


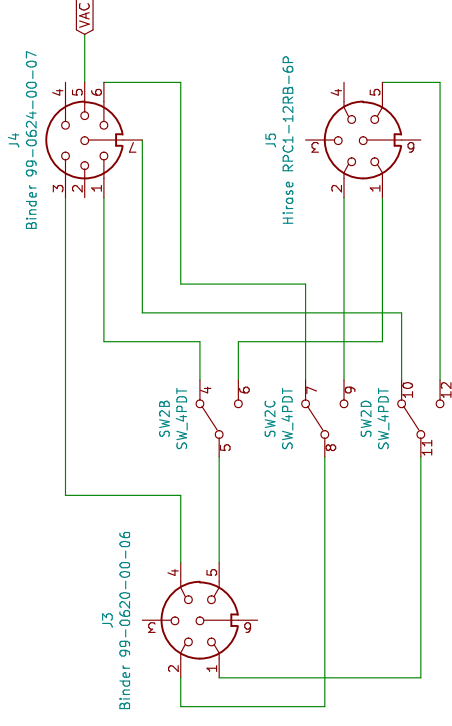
## AC, Power supply



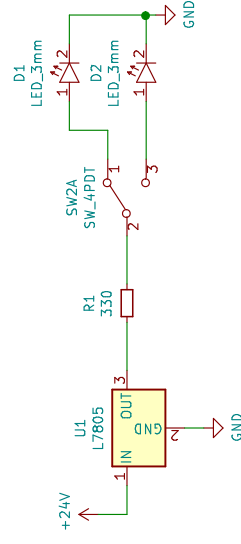
## Pump control



## Tool switch



## Indicator LEDs



Sebastian Liebhart

Sheet: /  
File: JBC Vacuum Pump.sch

**Title: JBC Tool switcher with Vacuum pump**

Size: A4 | Date: 2019-04-19

KiCad E.D.A. kicad 5.1.0

Rev: 1.0  
Id: 1/1